

# FACT SHEET

## XVL-900 Remote Valve Control - Single

### Key Features

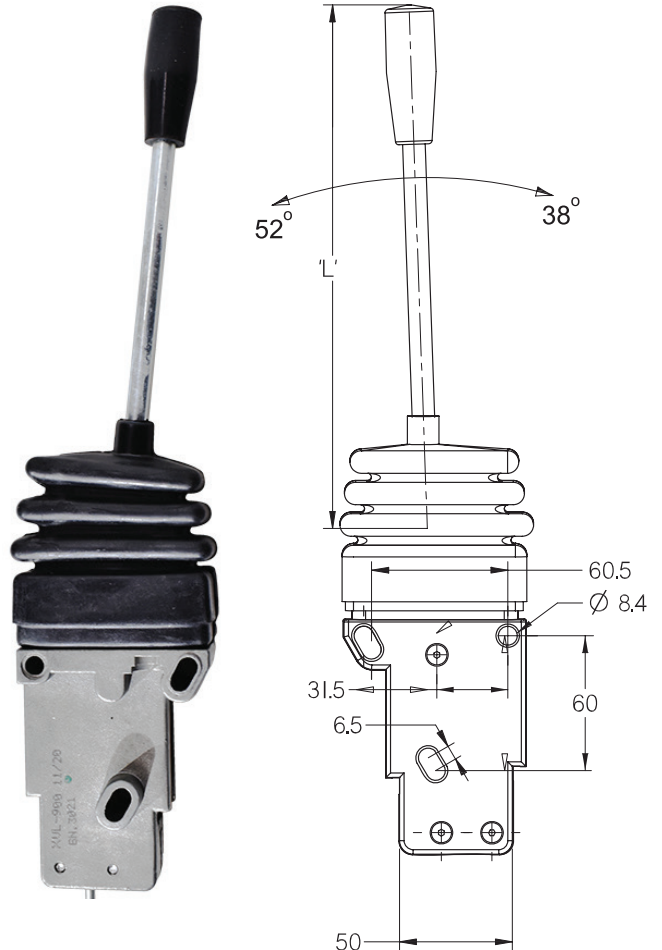
- Heavy Duty Aluminium Body
- Direct replacement for competitors cables
- Max load 50 kgf
- Three cable configurations available
- Stackable controls

### Suitable for use on

- Functions where hydraulic valves require operation from remote situations
- Designed for use where multiple valve banks are required

### Note

- The Multiflex RVC offers a maximum travel of 45 mm
- Control width 42mm



Part Number	Description
XVL-900	RVC Single
<b>Cables to suit</b>	
420050-XXXX	RVC cable with clamp hub
422050-XXXX	RVC cable with bulkhead hub
424045-XXXX	RVC cable with M16 universal hub
Where XXXX is overall length in centimetres	