

FACT SHEET

XVL-670 – Remote Valve Control TWIN

Key Features

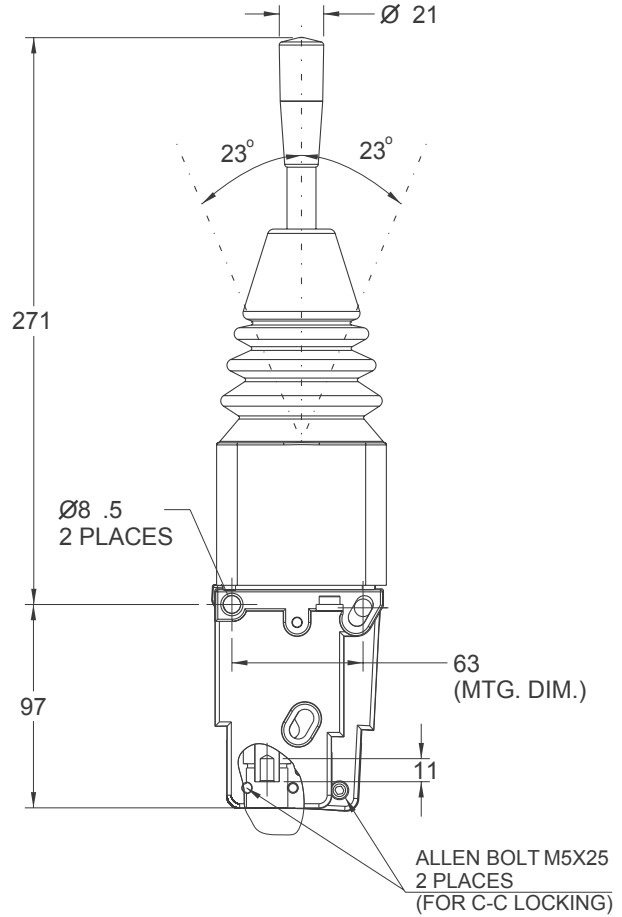
- Aluminium Body
- Maximum Load 40 kgf
- Stackable Controls

Suitable for use on

- Functions where hydraulic valves require option for remote situations
- Design for use where multiple valve banks are required

Note

- The Multiflex RVC twin offers a maximum of 30mm travel



Part Number	Description
XVL-670	RVC cable with clamp hub
Cables to suit	
420050-XXXX	RVC cable with clamp hub
422050-XXXX	RVC cable with bulkhead hub
424045-XXXX	RVC cable with M16 universal hub
Where XXXX is overall length in centimetres	